

IBM Program License Agreement

BEFORE OPENING THIS PACKAGE, YOU SHOULD CAREFULLY READ THE FOLLOWING TERMS AND CONDITIONS. OPENING THIS PACKAGE INDICATES YOUR ACCEPTANCE OF THESE TERMS AND CONDITIONS. IF YOU DO NOT AGREE WITH THEM, YOU SHOULD PROMPTLY RETURN THE PACKAGE UNOPENED AND YOUR MONEY WILL BE REFUNDED.

This is a license agreement and not an agreement for sale. IBM owns, or has licensed from the owner, copyrights in the Program. You obtain no rights other than the license granted you by this Agreement. Title to the enclosed copy of the Program, and any copy made from it, is retained by IBM. IBM licenses your use of the Program in the United States and Puerto Rico. You assume all responsibility for the selection of the Program to achieve your intended results and for the installation of, use of, and results obtained from, the Program.

The Section in the enclosed documentation entitled "License Information" contains additional information concerning the Program and any related Program Services.

LICENSE

You may:

- 1) use the Program on only one machine at any one time, unless permission to use it on more than one machine at any one time is granted in the License Information (Authorized Use);
- 2) make a copy of the Program for backup or modification purposes only in support of your Authorized Use. However, Programs marked "Copy Protected" limit copying;
- 3) modify the Program and/or merge it into another program only in support of your Authorized Use; and
- 4) transfer possession of copies of the Program to another party by transferring this copy of the IBM Program License Agreement, the License Information, and all other documentation along with at least one complete, unaltered copy of the Program. You must, at the same time, either transfer to such other party or destroy all your other copies of the Program, including modified copies or portions of the Program merged into other programs. Such transfer of possession terminates your license from IBM. Such other party shall be licensed, under the terms of this Agreement, upon acceptance of this Agreement by its initial use of the Program.

You shall reproduce and include the copyright notice(s) on all such copies of the Program, in whole or in part.

You shall not:

- 1) use, copy, modify, merge, or transfer copies of the Program except as provided in this Agreement;
- 2) reverse assemble or reverse compile the Program; and/or
- 3) sublicense, rent, lease, or assign the Program or any copy thereof.

LIMITED WARRANTY

Warranty details and limitations are described in the Statement of Limited Warranty which is available upon request from IBM, its Authorized Dealer or its approved supplier and is also contained in the License Information. IBM provides a three-month limited warranty on the media for all Programs. For selected Programs, as indicated on the outside of the package, a limited warranty on the Program is available. The applicable Warranty Period is measured from the date of delivery to the original user as evidenced by a receipt.

Certain Programs, as indicated on the outside of the package, are not warranted and are provided "AS IS."

Z125-3301-02 4/87

SUCH WARRANTIES ARE IN LIEU OF ALL OTHER WARRANTIES, EXPRESS OR IMPLIED, INCLUDING, BUT NOT LIMITED TO, THE IMPLIED WARRANTIES OF MERCHANTABILITY AND FITNESS FOR A PARTICULAR PURPOSE.

Some states do not allow the exclusion of implied warranties, so the above exclusion may not apply to you.

LIMITATION OF REMEDIES

IBM's entire liability and your exclusive remedy shall be as follows:

- 1) IBM will provide the warranty described in IBM's Statement of Limited Warranty. If IBM does not replace defective media or, if applicable, make the Program operate as warranted or replace the Program with a functionally equivalent Program, all as warranted, you may terminate your license and your money will be refunded upon the return of all of your copies of the Program.
- 2) For any claim arising out of IBM's limited warranty, or for any other claim whatsoever related to the subject matter of this Agreement, IBM's liability for actual damages, regardless of the form of action, shall be limited to the greater of \$5,000 or the money paid to IBM, its Authorized Dealer or its approved supplier for the license for the Program that caused the damages or that is the subject matter of, or is directly related to, the cause of action. This limitation will not apply to claims for personal injury or damages to real or tangible personal property caused by IBM's negligence.
- 3) In no event will IBM be liable for any lost profits, lost savings, or any incidental damages or other consequential damages, even if IBM, its Authorized Dealer or its approved supplier has been advised of the possibility of such damages, or for any claim by you based on a third party claim.

Some states do not allow the limitation or exclusion of incidental or consequential damages so the above limitation or exclusion may not apply to you.

GENERAL

You may terminate your license at any time by destroying all your copies of the Program or as otherwise described in this Agreement.

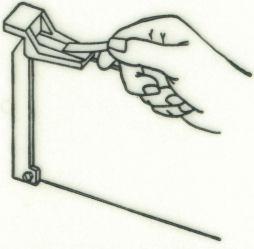
IBM may terminate your license if you fail to comply with the terms and conditions of this Agreement. Upon such termination, you agree to destroy all your copies of the Program.

Any attempt to sublicense, rent, lease or assign, or, except as expressly provided herein, to transfer any copy of the Program is void.

You agree that you are responsible for payment of any taxes, including personal property taxes, resulting from this Agreement.

No action, regardless of form, arising out of this Agreement may be brought by either party more than two years after the cause of action has arisen except for breach of the provisions in the Section entitled "License" in which event four years shall apply.

This Agreement will be construed under the Uniform Commercial Code of the State of New York.



5.25 Inch Diskette Adapter/A

5,25" diskettanslutning/A

**Adapter voor
5,25 inch-diskettestation**

5.25 Zoll Diskette Adapter/A

**Adaptador/A da disquete de
5,25 polegadas**

**Adaptateur de disquette
5 1/4 pouces/A**

**Adaptador/A de Diskettes de
5,25 pulgadas**

5,25" Diskettedrevadapter/A

**Adattatore/A per unità
minidisco 5,25"**

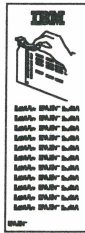
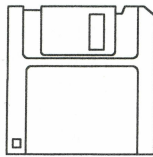
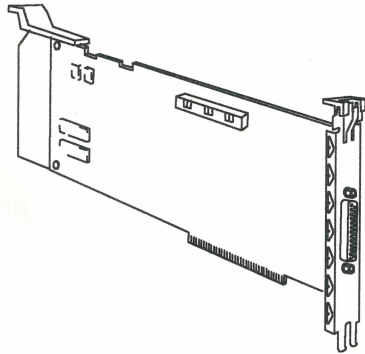
**Kort/A til 5,25-tommers
diskettstasjon**

15F0495

IBM Personal System/2®

5.25 Inch Diskette Adapter/A

Installation Instructions



This option consists of:

- 5.25 Inch Diskette Adapter/A
- Option identification labels
- Option Diskette.

If an item is missing or damaged, contact the place of purchase.

Note: The illustrations in this publication may be slightly different from your hardware.

6280303

Personal System/2 is a registered trademark of the International Business Machines Corporation.

© Copyright International Business Machines Corporation 1988. All rights reserved.